

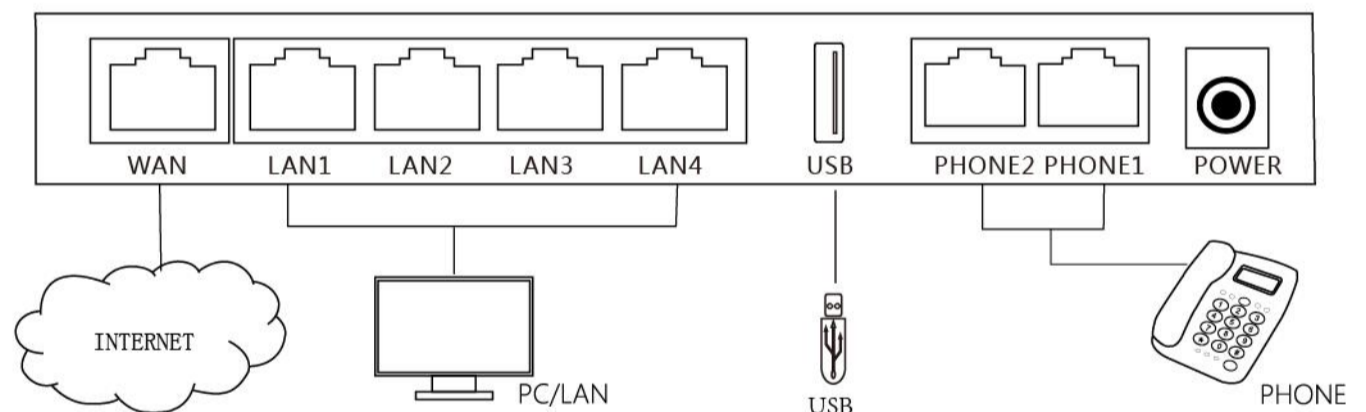
# VoIP Wireless Router FWR9202



## Feature Keys

- Support QoS
- 10/100Mbps Ethernet
- Support 5GHz 867Mbps WiFi
- Support 2.4GHz 300Mbps WiFi
- Real-time IP fax, T.38 and T.30

## Hardware Interface



## Overview

The Flyingvoice powerful VoIP Wireless Router FWR9202, which has one FXS port, four LAN ports and one WAN port, is a wireless router with embedded VoIP ATA functions. This product will not only allow you to make ATA call using your broadband connection, but also it provides Wi-Fi router function, make you enjoy easy network atmosphere. What's more, FWR9202 support T.38 real time FAX and T.30 Fax with G.711. The FWR9202 VoIP Wireless Router is a stand-alone device, which requires no PC to make Internet calls. This product guarantees clear and reliable voice on Internet, which is fully compatible with SIP industry standard and able to inter operate with many other SIP devices and software on the market. FWR9202 is not only wired Internet share capabilities

but also offer access (AP) function for daily wireless communication. With advanced router, FWR9202 is able to make calls via SIP proxy voice communications, plus the IP sharing, And the QoS mechanism.

# Technical Parameters

VoIP SoC	<ul style="list-style-type: none"> <li>CPU:MT7620A MIP1004KC 580MHz</li> </ul>
Flash	<ul style="list-style-type: none"> <li>16MB Flash</li> </ul>
RAM	<ul style="list-style-type: none"> <li>64MB DDR2 RAM</li> </ul>
Power	<ul style="list-style-type: none"> <li>AC/DC Adapter</li> <li>AC Input: 100~240V, 50~60Hz</li> <li>DC Output: 12V, 1.5A</li> </ul>
Operating System	<ul style="list-style-type: none"> <li>Linux 2.6.36</li> </ul>
I/O Interfaces	<ul style="list-style-type: none"> <li>1 RJ-45 for WAN Port (Ethernet 100 Base-T)</li> <li>4 RJ-45 for LAN Port (Ethernet 100 Base-T)</li> <li>2 RJ-11 for FXS Port</li> <li>1 USB 2.0 Host Ports</li> <li>IEEE802.11 b/g/n</li> <li>IEEE802.11 ac</li> </ul>
Environmental	<ul style="list-style-type: none"> <li>Operation Temperature: 0~50 Degree C</li> <li>Storage Temperature: -25~ 85 Degree C</li> <li>Relative Humidity: 10%~90% No Condensing</li> </ul>
Audio Codec	<ul style="list-style-type: none"> <li>G.711(A/u), PESQ&gt;4.3</li> <li>G.729AB, PESQ&gt;3.7</li> <li>Adaptive Jitter Buffer Management</li> <li>Voice Activity Detection</li> <li>Comfort Noise Generation</li> <li>Echo Cancellation</li> <li>T.30 FAX with G.711</li> <li>Real time FAX over IP via T.38</li> </ul>
Key Features	<ul style="list-style-type: none"> <li>Hardware NAT (HNAT) engine with 100Mbps NAT/NAPT speed</li> <li>2X2 2.4G 802.11 b/g/n(300 Mbps)</li> <li>2X2 5G 802.11ac (867 Mbps)</li> <li>2.4GHz and 5GHz should work simultaneously</li> <li>Support VoIP FXS port with SIP and T.38 FAX</li> <li>1 USB 2.0 Host Ports for storage</li> </ul>
Management	<ul style="list-style-type: none"> <li>Firmware Upgrade</li> <li>Web Management Interface</li> <li>IVR-driven Management Interface</li> <li>Local and Remote Syslog (RFC3164)</li> <li>Auto Provisioning</li> <li>SNTP Time Synchronization</li> <li>Multi User Level</li> <li>SNMP v2</li> <li>Telnet</li> <li>TR069</li> <li>System Log: local log and remote log</li> <li>Support Flying FCMS Cloud Management</li> </ul>

Protocols	<ul style="list-style-type: none"> <li>• SIP V2.0 (RFC 3261, 3262, 3263, 3264)</li> <li>• Session timer (RFC4028)</li> <li>• SDP (RFC2327)</li> <li>• RTP/RTCP (RFC823/903)</li> <li>• NAPTR for SIP URI lookup (RFC2915)</li> <li>• STUN (RFC2030)</li> <li>• ARP/RARP (RFC 826/903)</li> <li>• SNTP (RFC 2030)</li> <li>• DHCP/PPPoE</li> <li>• HTTP Server for Web Management</li> <li>• TFTP/HTTP for Auto Provisioning</li> <li>• Message Waiting Indicator (RFC3842)</li> <li>• DHCP Option Codes for SIP (RFC3361)</li> <li>• DNS/DNS SRV (RFC1706 and RFC 2782)</li> <li>• IEEE802.1Q VLAN/802.1p and IP DSCP</li> </ul>
Applications	<ul style="list-style-type: none"> <li>• MAC address cloning</li> <li>• NAT Traversal by STUN</li> <li>• Built-in Wired speed NAT Router</li> <li>• DHCP Server and Client</li> <li>• IP conflict detection</li> <li>• Port Forwarding, DMZ, SuperDMZ</li> <li>• 802.1Q VLAN/802.1p, DSCP, Rate Limiting</li> <li>• VPN(PPTP, L2TP, IPSec) Passthrough</li> <li>• SNTP</li> <li>• IGMPv2, IGMPv3</li> <li>• ACL (Access Control List)</li> <li>• Broadcast Storm Control</li> <li>• Mac Filtering</li> <li>• Firewall (SYN Flooding, IP Spoofing, Smurf Attack, Ping of Death, DoS)</li> <li>• Ipv6 (Dual Stack)</li> <li>• MLDv1, MLDv2</li> </ul>
Wireless	<ul style="list-style-type: none"> <li>• 4 SSID Per Radio</li> <li>• Static WEP (64/128bit)</li> <li>• Dynamic WEP (64/128bit)</li> <li>• AES (CCMP/TKIP)</li> <li>• MAC certification</li> <li>• WEP certification</li> <li>• WPA-PAK/WPA-PSK (2.0)</li> <li>• WPA/WPA2</li> <li>• AP Isolation and MBSSID AP Isolation</li> <li>• WMM</li> <li>• WDS</li> <li>• WPS</li> <li>• Station list</li> <li>• Radius certification and billing</li> <li>• MAC Filter (different from wired MAC Filter)</li> </ul>

Call Features	<ul style="list-style-type: none"> <li>• 3-way conference</li> <li>• Call hold</li> <li>• Call forwarding</li> <li>• Call Transfer</li> <li>• Call waiting</li> <li>• Caller ID and CWCID</li> <li>• DTMF Relay: In-band, Out-band and SIP INFO</li> <li>• QoS Layer 3</li> <li>• Call Log</li> <li>• CID/CWCID</li> <li>• Dial Plan</li> <li>• DTMF Mode: Inband, RFC2833 and SIP Info</li> </ul>
Regulatory	<ul style="list-style-type: none"> <li>• FCC Part 15 Class B approval</li> <li>• CE certification</li> <li>• RoHS compliance</li> </ul>
SIZE And Weight	<ul style="list-style-type: none"> <li>• 173mm (L) x153mm (W) x40mm (H)</li> <li>• 300g (N. W)</li> </ul>

## Place Order

Product Number	Description
FWR9202	1 WAN (FE) +4 LAN (FE) +1 USB+2. 4G (300Mbps) +5G (867Mbps) +2 FXS
FWR9200	1 WAN (FE) +4 LAN (FE) +1 USB+2. 4G (300Mbps) +5G (867Mbps)